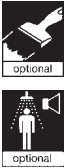


**15 W** Impedance selector switch  
15 - 10 - 5 - 2.5 W - 8 ohms



Metal mounting bracket for surface mounting  
(speaker appr. 360° swivelling)



### Description

This round and elegant speaker boasts an interesting design, functions excellently and meets even special architectural expectations.

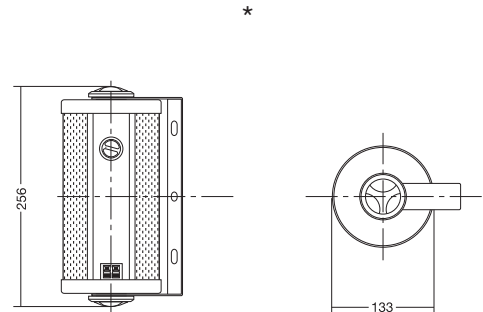
A 2-way bass reflex system provides for outstanding speech and music playback. On the rear side a rotary switch serves for the adjustment of low and high impedance areas. Easy and quick installation is enabled by the 2-pole clamping terminal at the rear side.

In the scope of supply metal handles serve for the attachment and enable to turn the column speaker appr. 360°.

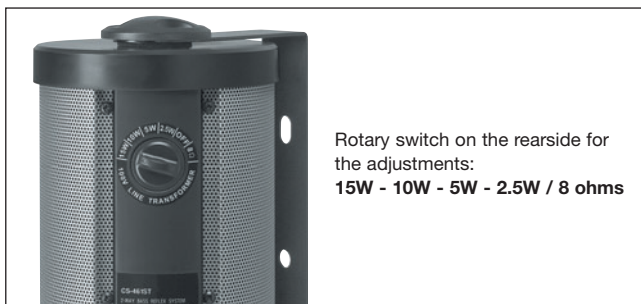
Please consider the following features:

- The rotary switch mounted on the outside of the speaker is adjustable from 15W - 10W - 5W - 2.5W 8 ohms to OFF. A fitted high quality matching transformer makes this possible.
- The assembly is possible horizontally or vertically on the wall or ceiling.

- All CS series models are equipped with mounting brackets enabling the speaker to swivel in all directions.
- The M6 thread hole in the middle of the speakers allows for stand fitting (PST-100). A threadpole allows for the stacking of the speakers.



For wall or ceiling mounting is necessary with mounting brackets, these can be easily removed for the stand assembly (threaded bore M6).



Rotary switch on the rearside for the adjustments:  
**15W - 10W - 5W - 2.5W / 8 ohms**

Technical data	CS-115 W	CS-115 S
Load rating (Music power)	(at 8 ohms) 15 W RMS (30 W max.)	
Transformer tapings at 100 V	15 - 10 - 5 - 2.5 W	15 - 10 - 5 - 2.5 W
Frequency range	170 - 20000 Hz	170 - 20000 Hz
Sound pressure at 1W/1m	93 dB	93 dB
Sound pressure SPL Pmax/1m	106 dB @0.3kHz	106 dB @0.3kHz
Angle of refl. beam (-6dB) 1/4/8 kHz	170°/ 50°/ 60°	170°/ 50°/ 60°
Dimensions, Ø x H	133 mm x 256 mm	133 mm x 256 mm
Weight	2.1 kg	2.1 kg
Colours corpus / grille	white / white	black/ silver
Speaker Ø and Nominal impedance	4" x 6" Woofer + 13 mm Dome-Tweeter	

**Round-Cabinet Speaker, black**..... **CS-115S**  
with 100 V transformer

**Round-Cabinet Speaker, white**..... **CS-115W**  
with 100 V transformer